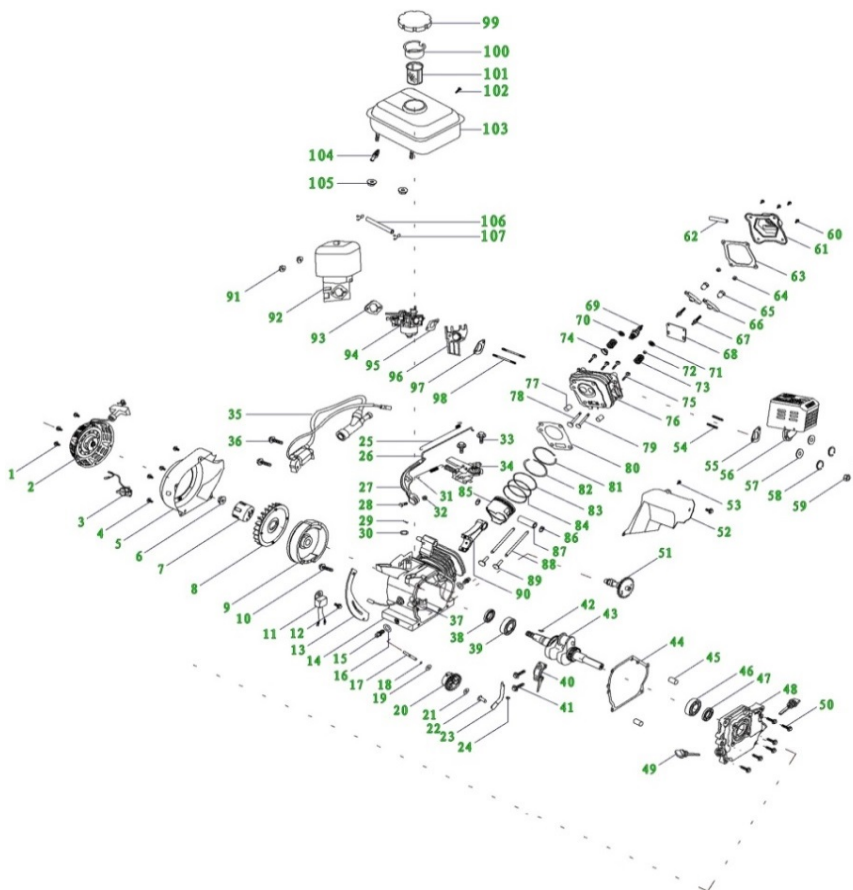


HPWP 30 - Water pump

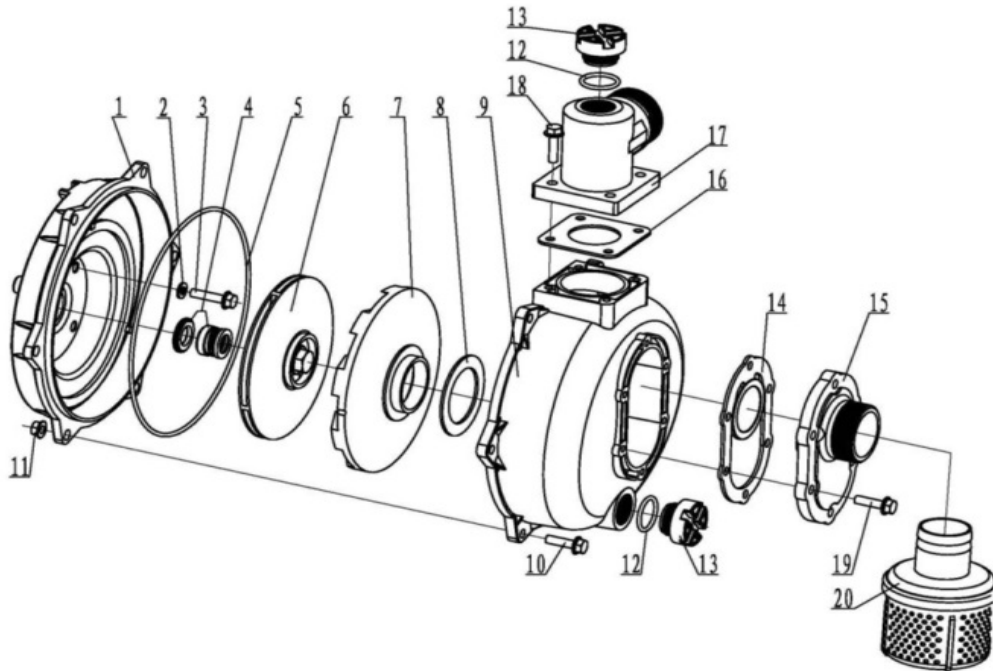


No	Code	Name	Qty	No	Code	Name	Qty
1		Hex. Flange Bolt M6X7	3	25		RST pullback spring	1
2	032131	Recoil starter	1	26		Speed governing Rod	1
3	032132	Switch	1	27		Speed governing Arm	1
4		Hex. Flange Bolt M6X12	4	28		Coach bolt	1
5	032133	Wind housing	1	29		Spring pin	1
6		Hex. Flange Bolt M14X15	1	30		Flat wahser Ø6	1
7	032134	Starter cup	1	31		Speed governing spring	1
8	032135	Flywheel fan	1	32		Hex. Flange Bolt M6	1
9	032136	Flywheel	1	33		Hex. Flange Bolt M6X12	2
10		Hex. Flange Bolt M6X16	1	34		Speed governing base	1
11		Isolator	1	35	032138	C.D.I.	1
12		Hex. Flange Bolt M6X12	1	36		Bolt M6x25	2
13		Flywheel cover	1	37		Oil Sensation	1
14	032137	Crankcase	1	38	017940	Oil Seal 41.25x25x6	1
15		Oilout bolt M10 X 12	2	39	013550	Bearing 6205	1
16		Oilout bolt washer 10 x 16 x 1	2	40		Connecting Rod cover	1
17		Speed governing gear shaft	1	41		Connecting rod bolt	2
18		Retainer ring 6	1	42		Woodruff key 5x5.5x25	1
19		Speed governing gear	1	43	032139	Crankshaft	1
20		Speed governing gear	1	44	032140	Crankcase gasket	1
21		Speed governing gear	1	45		Locating Pin Ø18x14	2
22		Sliding sleeve	1	46	013550	Bearing 6205	1
23		Rocking rod	1	47	017940	Oil Seal 41.25x25x6	1
24		Flat wahser Ø6	1	48	032142	Crankcase cover	1

HPWP 30 - Water pump

No	Code	Name	Qty	No	Code	Name	Qty
49		Oil rule	2	97		Heat shield gasket	1
50		Hex. Flange Bolt M8X33	6	98		Stud AM6x113	2
51	032143	Camshaft	1	99	032161	Fuel tank Cover	1
52		Wind plate	1	100		Strainer bracket	1
53		Hex. Flange Bolt M6X12	2	101		Fuel strainer	1
54		Stud AM8x20	2	102		Hex. Flange Bolt M6X25	1
55	032144	Muffler gasket	1	103	032160	Fuel tank	1
56	032145	Muffler	1	104	040358	Cock	1
57		Washer 8	2	105		Hex. Flange Bolt M6	2
58		Spring washer 8	2	106	032162	Fuel pipe	1
59		Hexnut M8	2	107		Fuel Pipe hoop	2
60		Hex. Flange Bolt M6X12	4				
61	032146	Cylinder Head Cover	1				
62		Exhaust pipe	1				
63	032147	Cylinder Head Cover gasket	1				
64		Rocker arm locknut	2				
65		Gas distribution adjustment	2				
66		Rocker arm	2				
67		Rocker arm bolt	2				
68		Guide plate	1				
69	032148	Spark plug	1				
70		Intake valve spring seat	1				
71		Exhaust valve spring seat	1				
72		Hood	1				
73		Valve spring	2				
74		Valve oil seal	1				
75		Hex. Flange Bolt M8X55	4				
76	032149	Cylinder head	1				
77		Locating Pin Ø10x14	2				
78	032150	Intake valve	1				
79	032151	Exhaust valve	1				
80	032152	Cylinder Head gasket	1				
81	032153	Piston ring 01	1				
82		Piston ring 02	1				
83		Bush ring	2				
84		Bush ring	1				
85	032155	Piston	1				
86		Piston Pin check ring	2				
87		Piston Pin	1				
88		Push rod	2				
89		Tappet	2				
90	032156	Connecting rod	1				
91		Hex. Flange Bolt M6	2				
92	032157	Air-cleaner	1				
93		Air-cleaner gasket	1				
94	032158	Carburator	1				
95		Carburator gasket	1				
96	032159	Heat shield	1				

HPWP 30 - High pressure pump kit



No	Code	Name	Qty	No	Code	Name	Qty
1	032118	Pump cover	1	25			
2		Sealed washer Ø8	4	26			
3		Hexangular bolt M8x35	4	27			
4	032119	Mechanical seal	1	28			
5	032120	O-ring Ø230x3. 55	1	29			
6	032121	Impeller	1	30			
7	032122	Diffuser	1	31			
8	032126	Diffuser's sealed interleaver	1	32			
9	032123	Pump body	1	33			
10		Hexangular bolt M8x30	6	34			
11		Hexangular nut M8	6	35			
12		O-ring Ø30x3. 55	2	36			
13	032125	Plastic Plug	2	37			
14	032128	Check valve	1	38			
15	032127	Inlet flange	1	39			
16		Outlet's sealed interleaver	1	40			
17	032129	Outlet flange	1	41			
18		Hexangular bolt M8x25	4	42			
19		Hexangular bolt M8x20	6	43			
20	032130	Foot Valve	1	44			
21				45			
22				46			
23				47			
24				48			